

4MP VF Network IR Bullet Camera

IPC2324EBR-DPZ28 (P)



Key Features

Optics

- Day/night functionality
- Smart IR, up to 50m (164 ft) IR distance
- Up to 120 dB Optical WDR(Wide Dynamic Range)
- 2D/3D DNR (Digital Noise Reduction)

Compression

- Ultra 265,H.265, H.264, MJPEG
- Embedded smart algorithm
- Triple streams
- ROI (Region of Interest)
- 9:16 corridor mode
- Customized OSD

Network

- ONVIF Conformance

Structure

- Wide temperature range: -35°C to 60°C (-31°F to 140°F)

Wide voltage range of $\pm 25\%$

IP67

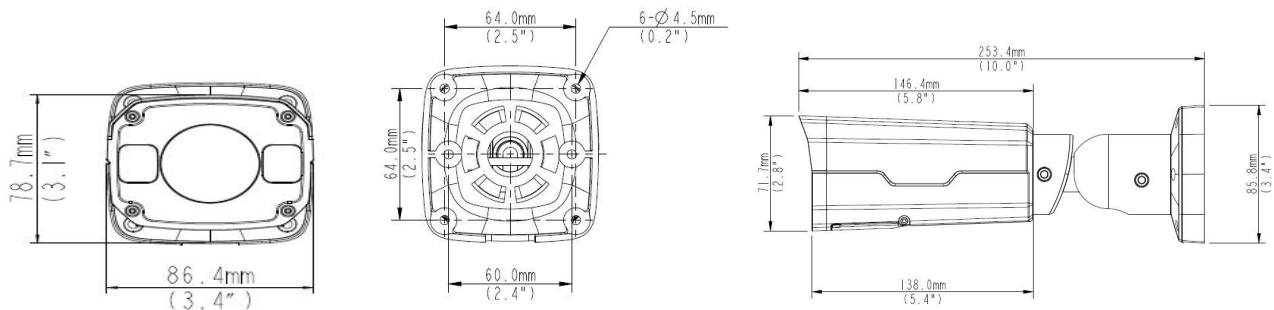
3-Axis

Specifications

| IPC2324EBR-DPZ28 (P) | | | | | |
|-------------------------|---|-----------|--------------|--------------|-----------------|
| Camera | | | | | |
| Sensor | 1/3", progressive scan, 4.0 megapixel, CMOS | | | | |
| Lens | 2.8~12mm, AF automatic focusing and motorized zoom lens | | | | |
| DORI Distance | Lens | Detect(m) | Observe(m) | Recognize(m) | Identify(m) |
| | 2.8mm | 63 | 25.2 | 12.6 | 6.3 |
| | 12mm | 270 | 108 | 54 | 27 |
| Angle of View(H) | 91° ~ 27° | | | | |
| Angle of View (V) | 54.4°~13.7° | | | | |
| Angle of View (O) | 118.3°~33.2° | | | | |
| Adjustment angle | Pan: 0°~360° | | Tilt: 0°~90° | | Rotate: 0°~360° |
| Shutter | Auto/Manual, 1~1/100000 s | | | | |
| Minimum Illumination | Colour: 0.005 Lux (F1.4, AGC ON) 0 Lux with IR on | | | | |
| Day/Night | IR-cut filter with auto switch (ICR) | | | | |
| Digital noise reduction | 2D/3D DNR | | | | |
| S/N | >52 dB | | | | |
| IR Range | Up to 50m (164 ft) IR range | | | | |
| Defog | Digital Defog | | | | |
| WDR | 120dB | | | | |
| Video | | | | | |
| Video Compression | Ultra 265, H.265, H.264, MJPEG | | | | |
| H.264 code profile | Baseline profile, Main Profile, High Profile | | | | |
| Frame Rate | Main Stream: 4MP (2592×1520): Max. 20 fps, 4MP (2560×1440): Max. 25 fps, 3MP (2048×1520): Max. 30 fps; Sub Stream: 2MP (1920×1080): Max. 30 fps; Third Stream: D1(720×576) : Max. 30fps | | | | |
| 9:16 Corridor Mode | Supported | | | | |
| HLC | Supported | | | | |
| BLC | Supported | | | | |
| OSD | Up to 8 OSDs | | | | |
| Privacy Mask | Up to 8 areas | | | | |
| ROI | Up to 8 areas | | | | |
| Motion Detection | Up to 4 areas | | | | |
| Smart | | | | | |
| Behavior Detection | Intrusion, cross line, motion detection | | | | |
| Intrusion | Enter and loiter in a pre-defined virtual region | | | | |
| cross line | Cross a pre-defined virtual line | | | | |
| motion detection | Moving within a pre-defined virtual region | | | | |
| Recognition | Face detection、Audio detection | | | | |

| | |
|----------------------------|--|
| Intelligent Identification | Defocus, Scene Change, Object Left, Object Moving |
| Statistical Analysis | People counting |
| General Function | Watermark, IP Address Filtering, Tampering Alarm, Alarm input, Alarm output, Access Policy, ARP Protection, RTSP Authentication, User Authentication |
| Audio | |
| Audio Compression | G.711 |
| Two-way audio | Supported |
| Suppression | Supported |
| Sampling Rate | 8 KHZ |
| Storage | |
| Edge Storage | Micro SD, up to 256 GB |
| Network Storage | ANR |
| Network | |
| Protocols | IPv4, IGMP, ICMP, ARP, TCP, UDP, DHCP, PPPoE, RTP, RTSP, RTCP, DNS, DDNS, NTP, FTP, UPnP, HTTP, HTTPS, SMTP, 802.1x, SNMP |
| Compatible Integration | ONVIF(Profile S, Profile G, Profile T), API |
| Interface | |
| Audio I/O | Audio cable |
| | Input: impedance 35 kΩ; amplitude 2 V [p-p] |
| | Output: impedance 600 Ω; amplitude 2 V [p-p] |
| Alarm I/O | 1 / 1 |
| Network | 1 RJ45 10M/100M Base-TX Ethernet |
| General | |
| Power | 12 V DC±25%, PoE (IEEE802.3 af) |
| | Power consumption: Max 9W |
| Dimensions (L × W × H) | 253.4 × 86 × 71.7 mm (9.98" × 3.4" × 2.8") |
| Weight | 1.0 kg (2.2 lb) |
| Working Environment | -35°C ~ +60°C (-31°F ~ 140°F), Humidity:10%~95% RH(non-condensing) |
| Ingress Protection | IP67 |

Dimensions



Zhejiang Uniview Technologies Co., Ltd.

South Tower, Building 10, Wanlun Science Park, 88 Jiangling Road, Hangzhou, P.R.China 310051

Email: overseasbusiness@uniview.com; globalsupport@uniview.com

<http://www.uniview.com>

©2015-201 Zhejiang Uniview Technologies Co., Ltd. All rights reserved.

*Product specifications and availability are subject to change without notice.